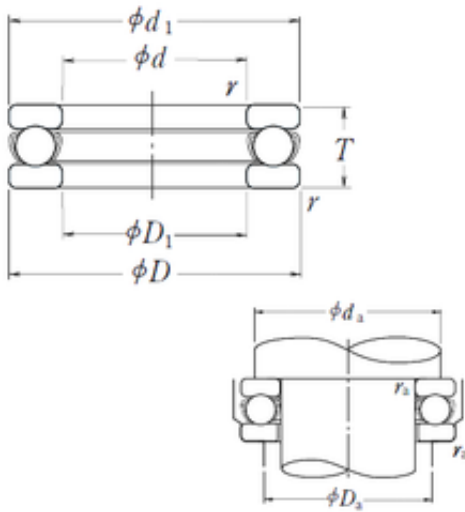




NTPT BEARING CO.,LTD.



51203 Bearing 2D drawings and 3D CAD models

Best Price 51203 Thrust Ball Bearing NSK 17*35*12mm Bearing

Bearing No. 51203

Size	17x35x12 mm
Bore Diameter	17 mm
Outer Diameter	35 mm
Width	12 mm
d	17 mm
D	35 mm
T	12 mm
d1	35 mm
r min.	0,6 mm
D1	19 mm
da min.	28 mm
Da max.	24 mm
ra max.	0,6 mm
Weight	0,05 Kg
Basic dynamic load rating (C)	17,3 kN
Basic static load rating (C0)	27,3 kN
(Grease) Lubrication Speed	4800 r/min
Category	Thrust Ball Bearing
Inventory	0.0
Manufacturer Name	NSK
Minimum Buy Quantity	N/A
Weight / Kilogram	0.05
EAN	0029176029158
Product Group	B00308
Rolling Element	Ball Bearing



NTPT BEARING CO.,LTD.

Thrust Bearing	Yes
Single or Double Direction	Single Direction
Banded	No
Cage Material	Steel
Precision Class	Non-Precision
Component Description	Roller Assembly Plus Raceways
Other Features	Single Row With Flat Seat
Long Description	17MM Bore 1; 19MM Bore 2; 35MM Outside Diameter; 12MM Height; Ball Bearing; Single Direction; Not Banded; Steel Cage; Non-Precision
Inch - Metric	Metric
Category	Thrust Ball Bearings
UNSPSC	31171552
Harmonized Tariff Code	8482.10.50.08
Noun	Bearing
Keyword String	Ball Thrust
Manufacturer URL	http://www.nskamericas.com
Manufacturer Item Number	51203
Weight / LBS	0.11023
Bore 1	0.669 Inch 17 Millimeter
Outside Diameter	1.378 Inch 35 Millimeter
Height	0.472 Inch 12 Millimeter
Overall Height with Aligning Washer	0 Inch 0 Millimeter
Bore 2	0.748 Inch 19 Millimeter
bore diameter:	17 mm
static load capacity:	6150 lbf
outside diameter:	35 mm
dynamic load capacity:	3900 lbf
overall width:	12 mm



NTPT BEARING CO.,LTD.

operating temperature range:	Maximum of +120 ° C
thrust bearing type:	Single-Direction
maximum rpm:	7500 rpm
outside diameter design:	Straight
cage material:	Steel Cage
separable or banded:	Separable
fillet radius:	.6 mm
race type:	Flat
series:	51200
precision rating:	ABEC1, P0
SRI	3.4
hidYobi	51203
LangID	1
D_	35
SREX	0.04
C	17.3
B_	12
hidTable	ecat_NSSDTB
Oil rpm	7500
SRE	3.4
mass	0.05
GRS rpm	4800
ra	0.6
SRIX	0.04
D_a	24
SRIN	0
C0	27.3
SREN	0
D_1	19
Prod_Type3	TB_SD_WFS
da	28



NTPT BEARING CO.,LTD.

DA_	6.35
Z_	11
yobi	51203
SDM_	26
r	0.6
T_	12
KBRG	5111