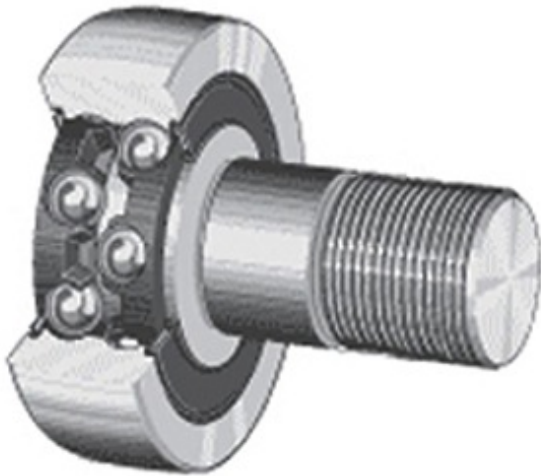




# NTPT BEARING CO.,LTD.

## OSBORN LOAD RUNNERS HPC-52 Cam Follower and Track Roller - Stud Type



HPC-52 Bearing 2D drawings and 3D CAD models

Bearing No. HPC-52

|                        |   |
|------------------------|---|
| Category               | Cam Follower and Track Roller - Stud Type   |
| Inventory              | 0.0   |
| Manufacturer Name      | OSBORN  |
| Minimum Buy Quantity   | N/A   |
| Weight                 | 0.54  |
| Product Group          | B04120  |
| Roller Surface Profile | Flat  |
| Profile                | Stud Type   |
| Thread Size            | M20X1.5   |
| Stud Profile           | Standard Stud   |
| Enclosure              | Sealed  |
| Rolling Element        | Ball Bearing - Double Row   |
| Relubricatable         | No  |
| Hex Socket             | Yes   |
| Inch - Metric          | Metric  |
| Long Description       | 52MM Roller Diameter; 33.6MM Roller Width; Flat Roller Surface; Stud Type; 20MM Stud Diameter; M20X1.5 Thread; Standard Stud; Sealed; Ball Bearing - Double Row; Not Relubricatable; Hex Socket |
| Category               | Cam Followers Stud Type   |
| UNSPSC                 | 31171530  |
| Harmonized Tariff Code | 8482.10.50.68   |
| Noun                   | Bearing   |



## NTPT BEARING CO.,LTD.

|                              |   |
|------------------------------|---|
| Keyword String               | Cam Follower  |
| Manufacturer URL             | <a href="http://www.osborn.com">http://www.osborn.com</a> |
| Manufacturer Item Number     | HPC-52  |
| Manufacturer Internal Number | 95066   |
| Weight / LBS                 | 1.19  |
| Roller Diameter              | 2.047 Inch   52 Millimeter                                |
| Roller Width                 | 1.323 Inch   33.6 Millimeter                              |
| Stud Diameter                | 0.787 Inch   20 Millimeter                                |
| EAN                          | 0622424950664   |